

**LB1943****Forward/Reverse Motor Driver with Braking Function****Overview**

The LB1943 is a forward/reverse motor driver IC. This IC supports forward, reverse, and braking control from a single input, and the desired output voltage can be set with a resistor. Either full drive or VC drive can be selected from the single input, and the LB1943 can be controlled from a microprocessor.

Functions

- Single-input control of forward, reverse, and braking operations
- Resistor output voltage setup
- Either full drive or VC drive can be selected from the single control input.
- Can be controlled from a microprocessor.
- Built-in motor dash current absorbing device
- Built-in reference voltage circuit
- Built-in thermal protection circuit

Specifications**Absolute Maximum Ratings at Ta = 25°C**

Parameter	Symbol	Conditions	Ratings	Unit
Maximum supply voltage	$V_{CC\ max}$		18	V
Input voltage	V_{IN}	$V_{CC} \geq V_{IN}$	-0.3 to +6	V
Output current	I_{OUT}		± 1.6	A
Allowable power dissipation	$Pd\ max$		1.2	W
Operating temperature	T_{opr}		-25 to +75	°C
Storage temperature	T_{stg}		-55 to +125	°C

Allowable Operating Ranges at Ta = 25°C

Parameter	Symbol	Conditions	Ratings	Unit
Supply voltage range	V_{CC1}		8 to 18	V
	V_{CC2}	$V_{CC1} \geq V_{CC2}$	5 to 18	V
Forward-reverse disabled time	T_{off}		Over 20	μs

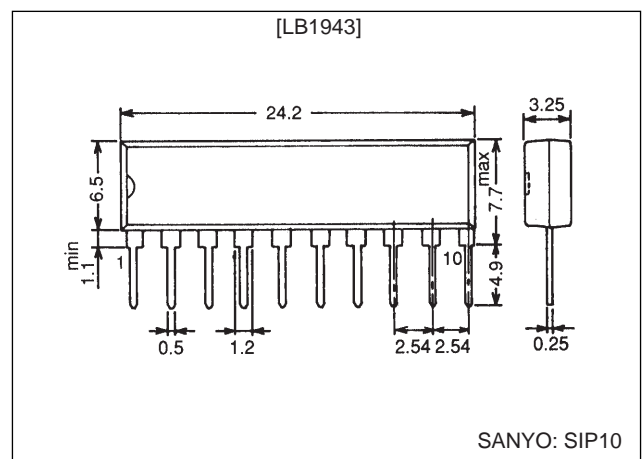
Electrical Characteristics at Ta = 25°C, VCC = 12 V

Parameter	Symbol	Conditions	Ratings			Unit
			min	typ	max	
Input low-level voltage	V_{INL}		0		1	V
Input high-level voltage	V_{INH}		4.2		6.0	V
Input mid-level voltage	V_{INM}		2		3	V
Input impedance	Z_{IN}			75		k Ω
Current drain	I_{CC}			5.5	10.0	mA

Continued on next page.

Package Dimensions

unit: mm

3043A-SIP10

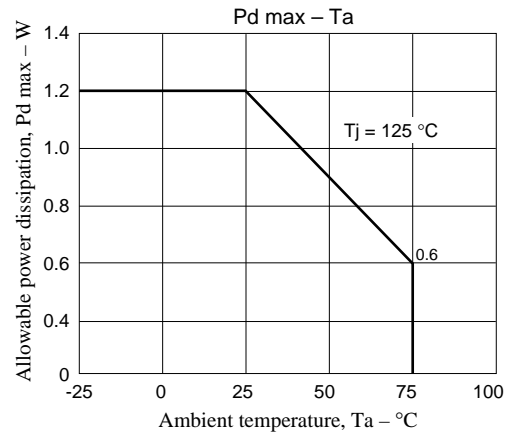
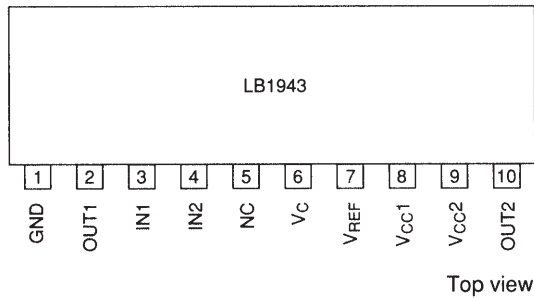
LB1943

Continued from preceding page.

Parameter	Symbol	Conditions	Ratings			Unit
			min	typ	max	
Output voltage	V _{OUT1}	R _L = 60 Ω, V _C = 2.5 V V _{IN1} = 2.5 V, V _{IN2} = 0 V	4.4	4.95	5.4	V
	V _{OUT2}	R _L = 60 Ω, V _C = 2.5 V V _{IN1} = 2.5 V, V _{IN2} = 5.0 V	4.4	4.95	5.4	V
Output leakage current	I _{OL}	R _L = ∞		0.01	1.0	mA
Saturation voltage (upper)	V (sat)11	V _{CC} = 12V, I _{OUT} = 300 mA		1.9	2.2	V
	V (sat)12	V _{CC} = 12V, I _{OUT} = 500 mA		1.9	2.3	V
Saturation voltage (lower)	V (sat)21	V _{CC} = 12V, I _{OUT} = 300 mA		0.25	0.5	V
	V (sat)22	V _{CC} = 12V, I _{OUT} = 500 mA		0.4	0.65	V
Reference power supply	V _{REF}		6.0	6.35	6.8	V
Reference voltage load characteristics	ΔV _{REF} /ΔI _{REF}	I _{REF} = 0 to -2.0 mA		0.05	0.1	V/mA
Control-to-output gain		V _{OUT} /V _C , V _C = 2.5 V, R _L = 60 Ω	1.5	1.9	2.4	×
TSD operating temperature	T _{STD}	*	150	180		°C

Note: Items marked with an asterisk (*) are design target values, and are not tested.

Pin Assignment



Truth Table

Input		Output voltage		Operation
IN1	IN2	OUT1	OUT2	
H	H	L	FULL	Forward (reverse) operation
M	H	L	V _C × 2	Forward (reverse) operation
L	H	L	V _C × 2	Forward (reverse) operation
H	M	OFF	OFF	Braking
M	M	OFF	OFF	Braking
L	M	OFF	OFF	Braking
H	L	FULL	L	Reverse (forward) operation
M	L	V _C × 2	L	Reverse (forward) operation
L	L	V _C × 2	L	Reverse (forward) operation

Input levels: V_H: Over 4.2 V
V_M: 2.0 to 3.0 V
V_L: Under 1.0 V

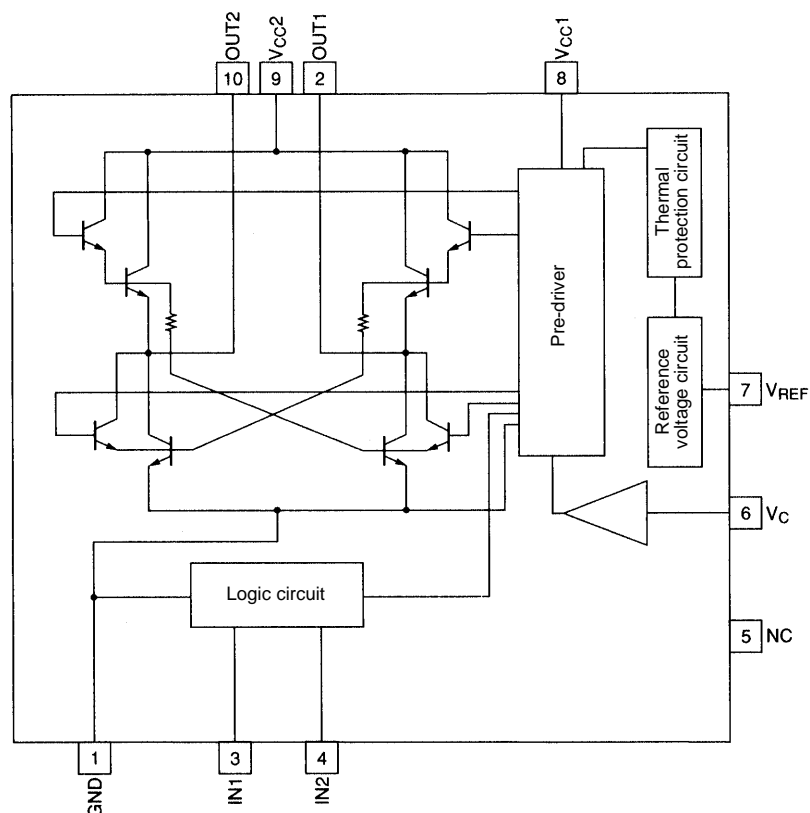
IN1 and IN2 go to 2.5 V when left open.

LB1943 operation is equivalent to that of the LB1641.

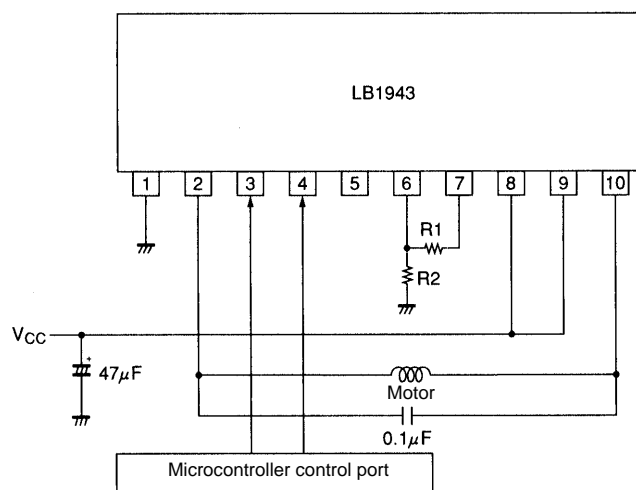
Pin Functions

Pin No.	Symbol	Pin function	Equivalent circuit
1	GND	<ul style="list-style-type: none"> Power system ground. This line is shared with the signal system ground. 	
3	IN1	<ul style="list-style-type: none"> Output voltage switching input Goes to V_M (about 2.5 V) when left open. 	
4	IN2	<ul style="list-style-type: none"> Forward, reverse, or braking control input Goes to V_M (about 2.5 V) when left open. 	
6	V_C	<ul style="list-style-type: none"> Output voltage setting 	
7	V_{REF}	<ul style="list-style-type: none"> Reference voltage output. $V_{REF} = 6.35$ V 	
8	V_{CC1}	<ul style="list-style-type: none"> Signal system power supply 	
9	V_{CC2}	<ul style="list-style-type: none"> Power system power supply 	
2 10	OUT1 OUT2	<ul style="list-style-type: none"> Outputs that are connected to the motor coils 	

Internal Equivalent Circuit



Peripheral Circuit Example



Usage Notes

1. The microprocessor output ports are CMOS outputs, and must be used in the high, low, or open states.
2. We recommend using a value of about 60 kΩ for R1 and R2.
3. Voltages applied to the IN1 and IN2 pins must not exceed the range 0 to 6 V. Note that negative voltages can cause the IC to operate incorrectly. Also, do not apply voltages to IN1 or IN2 when the V_{CC} voltage is not applied.
4. To prevent the upper and lower output transistors from both being in the on state at the same time, when switching the IN1 and IN2 values, always hold the input open for a brief period during the transition. We recommend holding the open state for a few tens of microseconds.
5. A capacitor must be inserted between V_{CC} and ground. We recommend that this capacitor have a value of at least 20 µF.

6. During motor drive, large currents (on the order of several hundred mA) flow in the motor power supply block. Therefore, the printed circuit board layout and interconnections must be designed so that there are no shared devices.
7. If negative voltages are applied to OUT1 and OUT2 and the IC operates incorrectly, insert Schottky diodes between OUT1 and ground and between OUT2 and ground.

- No products described or contained herein are intended for use in surgical implants, life-support systems, aerospace equipment, nuclear power control systems, vehicles, disaster/crime-prevention equipment and the like, the failure of which may directly or indirectly cause injury, death or property loss.
- Anyone purchasing any products described or contained herein for an above-mentioned use shall:
 - ① Accept full responsibility and indemnify and defend SANYO ELECTRIC CO., LTD., its affiliates, subsidiaries and distributors and all their officers and employees, jointly and severally, against any and all claims and litigation and all damages, cost and expenses associated with such use:
 - ② Not impose any responsibility for any fault or negligence which may be cited in any such claim or litigation on SANYO ELECTRIC CO., LTD., its affiliates, subsidiaries and distributors or any of their officers and employees jointly or severally.
- Information (including circuit diagrams and circuit parameters) herein is for example only; it is not guaranteed for volume production. SANYO believes information herein is accurate and reliable, but no guarantees are made or implied regarding its use or any infringements of intellectual property rights or other rights of third parties.

This catalog provides information as of February, 1998. Specifications and information herein are subject to change without notice.